

HYDROSTORM **ECO-V** PUMP

Energy Saving Variable 3 Speed Pump

Equipped with an energy saving Variable 3 speed motor, Hydrostorm ECO-V is capable of lowering its energy usage & reducing its operating noise levels.

- Energy Rating of 8 Stars
- Variable permanent magnet brushless DC motor
- Ultra quiet operation

SUPER EFFICIENCY RATING

The more stars the more energy efficient

ENERGY RATING

A joint government and industry program
Waterco Hydrostorm ECO-V 100
Variable Speed Pump

Efficiency %	Flow Rate Litres/min	Head m	Power W	Noise dBA
43.0	1.0	2.5	1.0	48

Energy consumption
407
kWh per year
To pump 50,000 litres/day

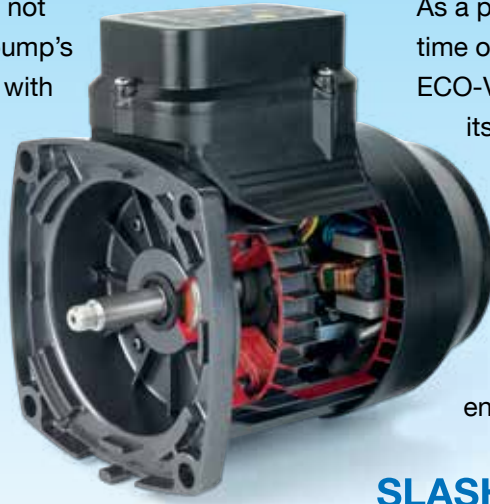
Actual energy use and running costs will depend on how you use the appliance.

Compare models at www.energyrating.gov.au



Energy Saving

A pool filtration system does not require to be operated at a pump's maximum water flow rate as with the use of a conventional pool pump limited to one speed. In fact, your pool's filtration efficiency improves at lower flow rates.



As a pool's filtration cycle occupies 99% of the run time of a pool pump, you can operate the Hydrostorm ECO-V on its low (ECO) speed setting for a majority of its running time, leading to a potential 82% savings in energy.

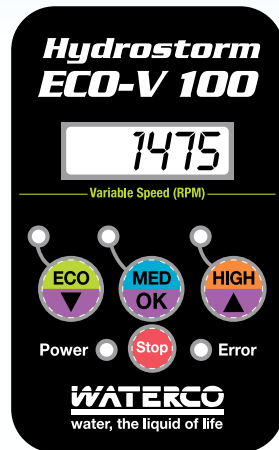
Equipped with the very latest variable 3 speed permanent magnet brushless DC motor, Hydrostorm ECO-V is capable of lowering its motor speed, reducing water flow and lowering its energy consumption.

SLASH ENERGY USE BY UP TO 82%.

Variable 3 Speed Options

Hydrostorm ECO-V's 3 speed options cater for most pool functions.

- **High speed** - Vacuuming and backwash – 1% of the time
- **Medium speed** - Automatic pool cleaners
- **Low speed** - Filtration – 99% of the time



- **Variable speed** - Hydrostorm ECO-V has 3 factory set speed options ECO (low), MED & HIGH but with the additional advantage of fine adjustment in operating speed with 25 RPM increments, allowing fine tuning of the pump's motor speed to perfectly match the flow requirements of the swimming pool, maximising energy savings and minimising pump noise.

PERFECTLY MATCH FLOW REQUIREMENTS AND MAXIMISE ENERGY SAVINGS.

Benefits of Slow Flow

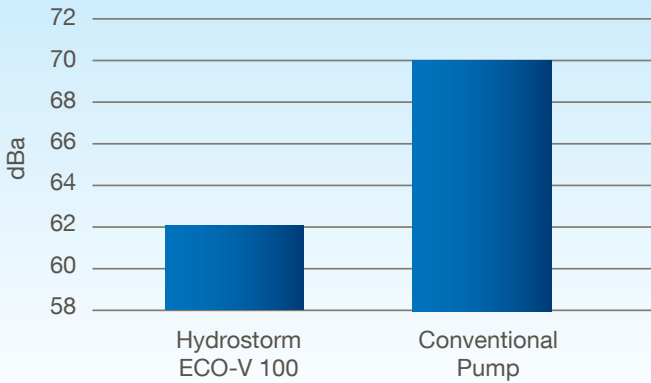
Lowering a pumps flow rate not only significantly decreases the pump's energy requirements, but also reduces water flow resistance in your pool equipment and plumbing. Even though you may need to operate the Hydrostorm ECO-V longer, it is far more efficient pumping low water flow compared to high water flow.

A slow flow rate also has the added benefit of improving your pool's filtration efficiency, enhancing the clarity of your swimming pool water. Plus your automatic chemical dosers and salt chlorinators are also more effective when the pool water is circulated longer.



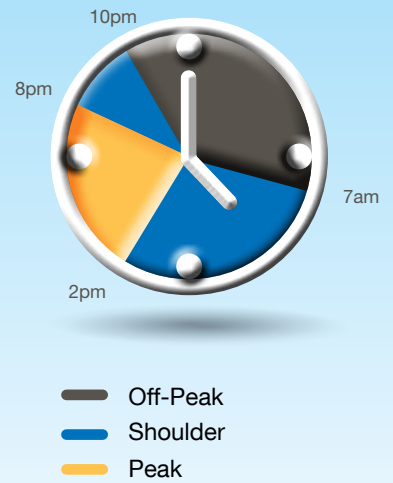
Ultra Quiet

Hydrostorm ECO-V operates most economically and with the lowest noise level at its low speed setting. Its low speed setting significantly reduces the pump's vibration, motor noise and water turbulence to an ultra low 62 decibels (dBA).



Off-Peak Operation

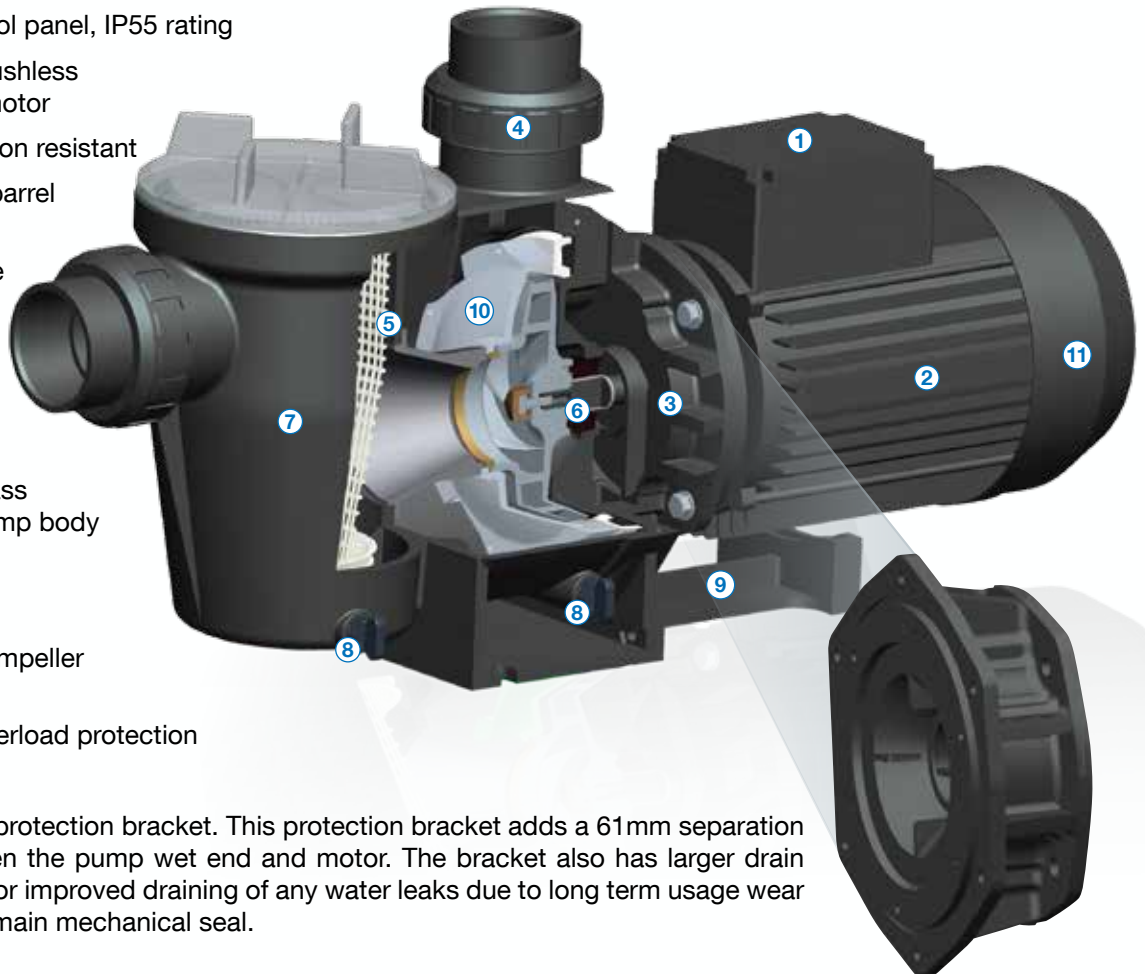
Its low noise levels enable it to be operated at times that are not allowable for conventional pool pumps. A Hydrostorm ECO-V allows you to take advantage of off-peak electrical tariff periods, without upsetting your neighbours.



**SAVE HUNDREDS OF DOLLARS
OFF YOUR ENERGY BILLS.**

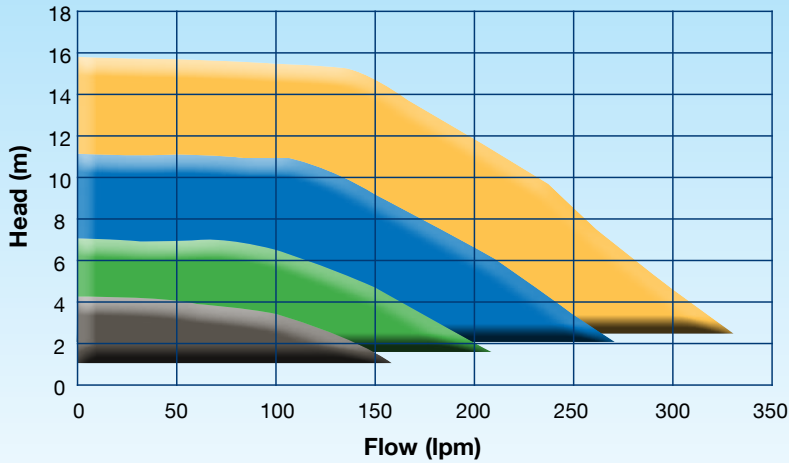
Key Features

1. Variable 3 speed control panel, IP55 rating
2. Permanent magnet brushless Variable 3 speed DC motor
3. UV stabilised & corrosion resistant
4. 50mm quick connect barrel unions for UPVC pipe
5. Clear basket lid & large 2.1lt strainer basket
6. High grade carbon/graphite mechanical seal with 316 stainless steel spring assembly
7. Strong single piece glass filled thermoplastic pump body
8. Drain plugs
9. Stable support base
10. Hydraulically efficient impeller and diffuser design
11. Fan cooled thermal overload protection



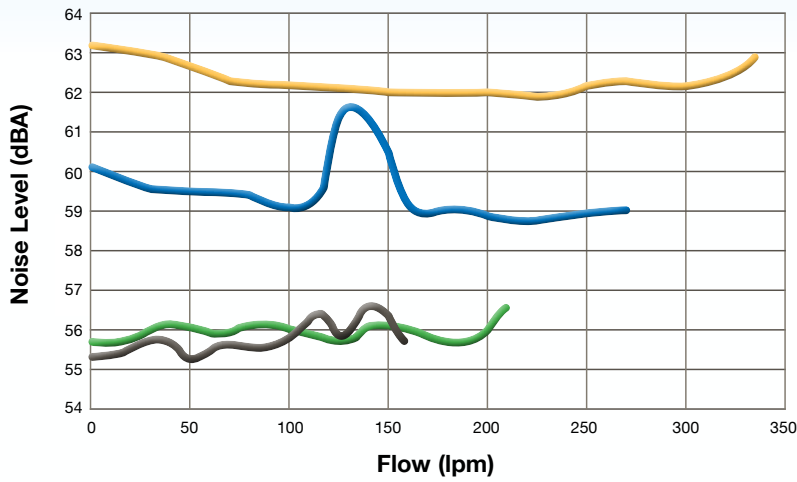
Motor protection bracket. This protection bracket adds a 61mm separation between the pump wet end and motor. The bracket also has larger drain holes for improved draining of any water leaks due to long term usage wear of the main mechanical seal.

Hydrostorm ECO-V Performance Curves



- ECO-V speed (1475rpm)
- ECO speed (1900rpm)
- Medium speed (2410rpm)
- High speed (2850rpm)

Hydrostorm ECO-V Noise Levels



SUPER EFFICIENCY RATING

The more stars the more energy efficient

ENERGY RATING

A joint government and industry program
Waterco Hydrostorm ECO-V 100
Variable Speed Pump

Efficiency L/Wh	Flow Rate L/min	Head m	Power W	Noise dBA
44.8	120	2.6	161	62

Energy consumption
407
kWh per year
To pump 50,000 litres/day

When tested in accordance with AS 5102.2.
Actual energy use and running costs will depend on how you use the appliance.

Compare models at www.energyrating.gov.au



Warranty

Pumps	3 years (conditional)*
Wet End	3 years
Motor, mechanical seal, hair & lint pot lid, o'ring, basket, impeller & diffuser	2 years
Commercial applications	1 year
Labour	1 year

*Please refer to Waterco's warranty terms and conditions

Specifications

Length (mm)	Height (mm)	Width (mm)	Packaged Weight (kg)	Inlet/Outlet (mm)	Strainer Basket (mm)
650	340	227	12	50	2.1

ECO-V speed (1475rpm)

Pump Total Head (m)	Flow Rate (lpm)	Motor Input (kW)	Amps	Noise Level (dBA)
1.8	142	0.16	1.2	56.5
2.3	127	0.16	1.2	55.8
2.8	115	0.16	1.2	56.3

Medium speed (2410rpm)

Pump Total Head (m)	Flow Rate (lpm)	Motor Input (kW)	Amps	Noise Level (dBA)
5.3	220	0.53	4.1	58.7
7.0	193	0.54	4.1	59
9.9	135	0.52	3.9	61.5

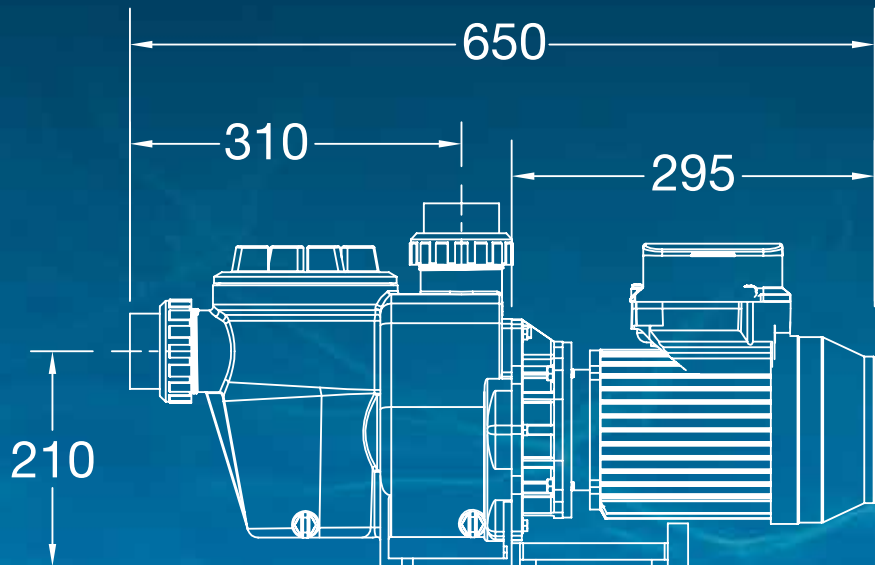
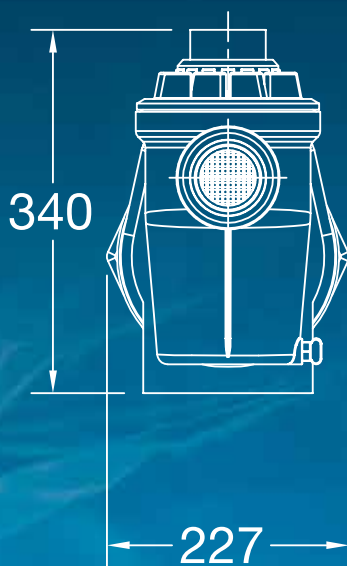
ECO speed (1900rpm)

Pump Total Head (m)	Flow Rate (lpm)	Motor Input (kW)	Amps	Noise Level (dBA)
4.7	145	0.30	2.3	56.1
5.5	129	0.30	2.3	55.7
6.3	107	0.28	2.2	55.9

High speed (2850rpm)

Pump Total Head (m)	Flow Rate (lpm)	Motor Input (kW)	Amps	Noise Level (dBA)
7.3	264	0.86	6.6	62.3
11.8	201	0.87	6.6	62
15.2	134	0.79	6.0	62.1

Dimensions (mm)





Established since 1981, Waterco is an Australian public listed company involved in the manufacture and distribution of:

- Swimming pool/spa equipment and chemicals
- Domestic water filters, softeners and purifiers
- Commercial and Industrial water treatment equipment.

Waterco's research & development team has created an innovative range of award winning products.

The company's advanced fibreglass winding and pioneering plastic moulding techniques have delivered premium quality products to over 40 countries via its branches operating in Australia, New Zealand, Malaysia, China, the United Kingdom, United States of America, Canada, Indonesia and Singapore.



OFFICES - AUSTRALIA

NSW - Sydney (Head Office)
Tel: +61 2 9898 8600

QLD - Brisbane
Tel: +61 7 3299 9900

VIC/TAS - Melbourne
Tel: +61 3 9764 1211

WA - Perth
Tel: +61 8 9273 1900

SA/NT - Adelaide
Tel: +61 8 8244 6000

ACT Distribution
Tel: +61 2 6280 6476

OFFICES - OVERSEAS

Waterco (Europe) Limited
Sittingbourne, Kent. UK
Tel: +44 (0) 1795 521 733

Waterco (USA) Inc
Augusta, Georgia, USA
Tel: +1 706 793 7291

Waterco Canada
Longueuil, Quebec, Canada
Tel: +1 450 748 1421

Waterco (NZ) Limited
Auckland, New Zealand
Tel: +64 9 525 7570

Waterco (C) Limited
Guangzhou, China
Tel: +86 20 3222 2180

Waterco (Far East) Sdn Bhd
Selangor, Malaysia
Tel: +60 3 6145 6000

PT Waterco Indonesia
Jakarta, Indonesia
Tel: +62 21 4585 1481

Waterco Singapore Intl Pte Ltd
Nehsons Building, Singapore
Tel: +65 6344 2378

Waterco France
SAINT PRIEST, France.
Tel: +33 4 72 79 33 30

DISTRIBUTED BY:

WATERCO
Water, the liquid of life

